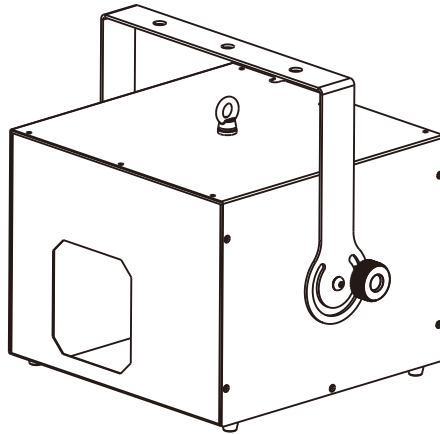




[ PRO STAGE EFFECTS ]



## **DFZ-800**

USER MANUAL



## ◆ Foreword

Thank you very much for choosing DJPOWER DFZ-800 Haze Machine . Before start operating,we strongly suggest you to read the user manual carefully. Following the instructions here will ensure your safety while operating the machine,easily achieve the best effect,as well as understand the right way to care for and maintain the machine,hence to prolong the product life cycle.

## ◆ Introduction

DFZ-800 haze machine is a durable version which is invented particularly for top-grade pub and small performance .

## ◆ Important Features

- 1.New heater, DJPOWER's fluid almost free from blockage. Dry haze without fluid splash;
- 2.3 L fluid tank free from frequent refuel; professional leak-proof tank prevents spill from transportation or dumping;
- 3.Anti-slip design makes it convenient and safe to remove or fix the fluid tank;
- 4.Wireless remote control and DMX, Chinese and English user-friendly display and operation;
- 5.Ultra-thin design, light weight, complete functions, super quiet output, even haze effect, far output distance, the best choice for high-end bars and various small performances.

## ◆ Other Features

- 1.No burnt smell, no harm to the optic;
- 2.Super quiet;
- 3.Low fluid consumption rate, easy to carry;
- 4.No-fluid protection: automatic circuit cut-off to protect pump if fog fluid tank runs dry;
- 5.Even haze effect, medium haze output;
- 6.External antenna, high sensitive remote control;
- 7.Please use DJPOWER professional high-density haze fluid PRO-C or PRO-J, other consumables might cause fluid splash or clogging!

## ◆ Safety operation

- Keep the fixture dry. For indoor and outdoor use.
- Use grounded electrical outlet. Prior to use,make sure that unit is installed at the rated voltage.
- Turn off or unplug when not using it.
- This machine is not water-proof. Please keep it away from moisture and water. If moisture,water,or fluid gets inside the housing, stop using it.

- No user serviceable and modifiable parts inside. Do not disassemble the housing and do any modification, otherwise it might cause damage to the unit or danger of burning.
- For adult use only. Fixture must be installed out of the reach of children. Never leave the unit running unattended. Keep it away from fire, combustible and flammable materials.
- Position the machine in well-ventilated area. Please leave about 50cm spaces surrounding the unit.
- Please do not use the fixture under high temperature.
- Never add flammable liquids of any kind (oil, gas, perfume) to the fog liquid.
- If something wrong happen while using, please stop the fixture immediately, cut off the power, and check the fog liquid amount, fuse, power cable and power plug. If problem could not be resolved, please contact with your dealer.
- Use only DJPOWER high-quality PRO-C or PRO-J fog liquid.
- Never drink liquid. If it is ingested, call a doctor immediately for any discomfort. If liquid comes in contact with skin or eyes, rinse thoroughly with water.

#### ◆ **Unpackaging and inspection**

Immediately upon receiving the machine, carefully unpack the carton, check all content to ensure that all parts are present and have been received in good condition. If any parts appear damaged or mishandled from shipping, please do not power on the machine. Contact with the shipper immediately.

#### ◆ **What is included:**

1. 1 x DFZ-800 haze machine
2. 1 x W-4 wireless remote
3. 1 x Power Cord
4. 1 x User Manua

#### ◆ **Installation**

1. After ensuring all the accessories are intact, position the machine on a flat surface, and open the cover of the road case in front.
2. Press the oil tank's quick connector by thumb and forefinger, and take it out quickly to disconnect the tube and the oil tank. Take out the tank and uncover the cap. Pour the liquid PRO-C or PRO-J into the tank carefully,

then tighten the cap. Put the tank into the machine and push the connector lightly to connect the tube and oil tank.

3. Connect the Neutrik power cord to the machine. Please make sure the required and provided electricity voltage and the electricity outlet is grounded.
4. There is no ON/OFF power switch for this unit. When the power cord connects to the electricity outlet, the machine will immediately start heating up and in the standby mode, during this time, the LCD panel will display “WARMING UP”
5. It requires about 50S for heating up. When the process of heating up finishes, the LCD display will show “READY TO Fazer”

#### ◆ **Operation**

#### ◆ **Wireless remote function**

- Without interference, the remote can control the unit in the distance of 50m. Under DMX control, wireless control will not work.
- There are two buttons on the remote: ON/OFF. One unit can remember five different programming. This enables each unit to be controlled separately when being used together.

### 1.1 **Register wireless remote**

When the unit is powered on, and the wireless status is ON, the LCD display will show “wireless setup”. In such case, user can register the wireless remote by pressing any button for 1s on the remote. If the LCD display flickers twice, then it is matched with the unit successfully. One unit can match with 5 different programming remotes at most. If user register the sixth one, then the memory for the first one will be erased.

If the unit has matched with 5 remotes, when powered off. It will remember those remotes, while if user tries to register another one, then the memory for the five remotes will be erased.

For example:

- ① If one unit needs to be registered with three remotes, during 15s after the machine is powered on, press buttons on the three remotes to register them. Make sure the LCD display flickers twice.
- ② If two units need to be controlled by one remoter. Power on both machine, and press button on the remote. Make sure both units' LCD display flicker twice.

### 1.2 **Wireless remote control**



Press ON button to run the unit or OFF button to stop it.

When the machine is under wireless remote control, the haze output is the one set by VOLUME OUT. For example, if the VOLUME OUT is 1%, then it will be 1% when controlled by wireless remote.

Note:

1. When register the wireless remote, please make sure the LCD display flicker twice. Then release the ON button. Otherwise, it might fail.
2. If the wireless remote is under OFF status, when the machine is powered on again. The LCD display will not show “wireless setup”.
3. Wireless remote control will void if the unit is connected to DMX.

#### ◆ Silent Mode Function

When the unit finishes heating, keep pressing “MENU” button for 5s to enter into silent mode setting. There are three settings: Mode 1, Mode 2, Mode 3. Under this setting page, press “MENU” button to choose the ideal one. After choosing, press “VOLUME” button to activate it. To exit this function, press “STOP” button.

#### ◆ LCD Control

- LCD display has Chinese and English for alternative to cater to different customers' demands.
- Please take note LCD control is void when the unit is connected to DMX.
- LCD display has 4 buttons., see below:



MENU: Enters/changes setting mode  
UP/TIMER: Increase value; Timer mode  
DOWN/VOLUME: Decrease value; haze output  
ENTER/STOP: Enter or exit setting mode; STOP

#### ◆ Press ENTER button, there are ten pages in total, as following:

1. “READY to FOG” : Machine finishes heating.
2. Interval Set: 5 ~ 200s

3. Duration Set: 5 ~ 200s
4. Timer out: 1% ~ 100% haze output under "TIMER" mode
5. Volume out: 1% ~ 100% haze output under Volume mode
6. Fan speed: 1% ~ 100%
7. DMX 512 ADD: 1 ~ 512
8. Wireless set: Wireless remote on/off
9. Direct timer: Direct timer on/off after power on
10. Language: Choose English or Chinese.

Under any setting pages, press "STOP" to exit or return to the page one. When the unit is working, press "STOP" to stop running and return to the page one.

After enter into different setting pages, press "UP" and "DOWN" to change the value.

When it is in the page one, press "TIMER" button to enter into timer mode.

#### ◆ DMX Control

- When the unit is connected to DMX, LCD display will show the address value. In such case, press "UP" and "DOWN" button to change the address.
- There are two DMX channels.  
Channel 1: Fan output. 0~5 OFF; 6~255 increase  
Channel 2: Haze output. 0~5 OFF; 6~255 increase

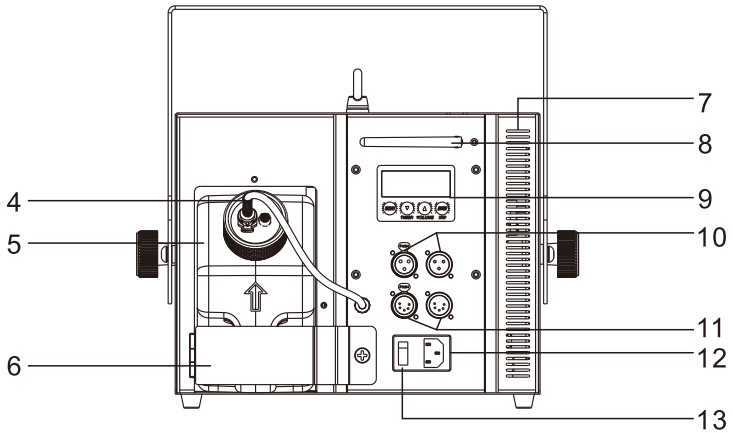
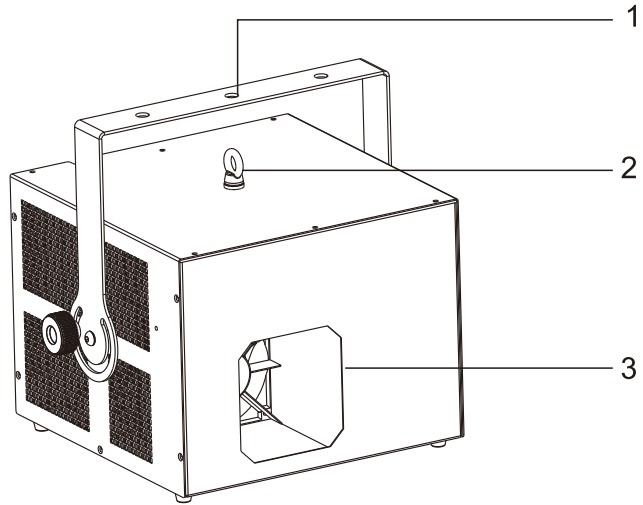
#### ◆ Technical Parameter

Model:	DFZ-800
Input Voltage:	AC 220 V~240 V, 50/60 Hz
Fuse:	F8 A/250 V
Total Power Consumption:	1,200 W
Heat Up Time:	Appr. 50 s
Max Output Volume:	Appr. 6,000 cuft/min
Fluid Consumption Rate:	Appr. 167 min/L
Fluid Tank Capacity:	3 L
Net Weight:	11 kg
Gross Weight:	12.6 kg
Machine Dimensions:	379×310×286 mm
Packing Dimensions:	445×445×410 mm
DMX Channel:	2
Consumbale:	PRO-C or PRO-J

#### ◆ Product Overview

1. Bracket
2. Safety cable
3. Nozzle
4. Quick connector

- 5. 3.5L fluid tank
- 6. Fluid tank baffle
- 7. Air vent
- 8. Antenna
- 9. LCD display
- 10. 3-pin DMX socket
- 11. 5-pin DMX socket
- 12. Power socket
- 13. Power switch





## ◆ Fog machine fluid blowout and heater blocking phenomenon analysis

**Please use the original consumables, protect your health and life of machine**

A.Fluid injection trouble: Refers to the fog fluid atomizing in the heater pipe of the machine is not good, heater temperature cannot be timely and effective transmit to the fog fluid, fog fluid cannot all atomization and lead to fluid injection.

First reason: Using the low quality or counterfeit fog fluid, low quality fog fluid have more impurities, easy to adhere to the pipe wall and hindered temperature transmission result in incomplete atomization caused fluid injection.

Second reason: using an incorrect fog fluid. Different fog fluid have different required atomization temperature. If you use the wrong fog fluid result in fluid cannot fully atomization caused fluid injection.(fig 1)

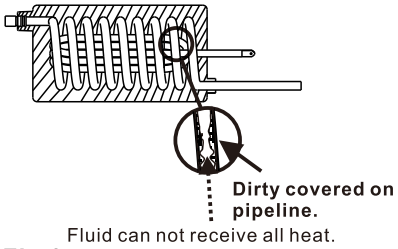
B.Heater blocking trouble : poor atomization fluid injection is the early signs of heater block. Using poor quality fog fluid or not timely maintenance cleaning the fog machine for a long time. Inevitable will appear the terminal symptom of heater blocking.

Reason: heater blocked is because used inferior fog fluid or not maintenance for a long time. Have nothing to do with the quality of machine. Like a car with poor quality gasoline produce poor fluid circuit failure or long-time no maintenance the car will inevitably appear bigger problems. (fig 2)

C.Solutions to these problems: fog machine heating pipes used for a long time and then the pipe wall will easily produce sediments (The more inferior fog fluid the more impurities thus lead to fluid injection or blocked). All fog machines need regular maintenance (fog machine maintenance cycle for 1 to 2 months/time). Specific maintenance method: after heating the 35% white vinegar plus 65% distilled water and then spray 10 to 15 times

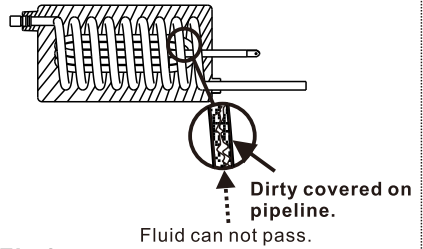
Conclusion: As long as the fog machine with fluid injection or heater blocking after using a period of time. It was caused by fog fluid quality or lack of maintenance, has nothing to do with the quality of the machine. Please use the original high quality fog fluid and timely maintain it, then it can be used for a long time.

Pipeline has covered by dirt, insufficient heat transfer result in water-spraying.



**Fig 1**

Pipeline has covered by dirt, that results in blocked heater.



**Fig 2**



