

# Point Source

## MAIN APPLICATIONS

- Ideal for fixed installation
- Small theatres
- Auditorium
- Piano bar
- Conference rooms
- Pubs
- Gym
- House of worship

## MAIN FEATURES

- 2-way coaxial
- 120W RMS recommended amplifier
- 5" low frequency woofer with 1.5" coil
- 1" high frequency driver with 1" coil
- 4-pin Euroblock in & thru connector
- HDF Wooden cabinet with scratch-resistant paint finish
- Installation bracket for multi-angle adjustment (optional)
- Available in black (code 45383) and white color ( code 46173)



## DESCRIPTION

The FBT KEIRON 5C two-way speaker system features lightweight wooden construction with a scratch-resistant paint finish. Available in black or white, the FBT KEIRON 5C provides fixed installations with an elegant design suitable for a wide range of applications. Incorporating a 5" coaxial low-frequency woofer with a 1.5" voice coil and a 1" high-frequency driver with a 1" voice coil coupled to a 90° dispersion, the FBT KEIRON 5C delivers low-distortion audio with an SPL level that goes far beyond expectations for such a compact solution, with a frequency range of 80Hz to 20kHz. The FBT KEIRON 5C provides high-fidelity sound for both speech and music applications, with a maximum SPL of 117dB. Three fixing points positioned at the rear of the cabinet allow the use of a horizontally and vertically adjustable wall support (WM-45).

## TECHNICAL SPECIFICATIONS

### GENERAL

Code	Black	45383
	White	46173
Configuration	way	2 coax
Low frequency woofer	inch	5 - 1.5 coil
High frequency driver	inch	1 - 1 coil

### ACOUSTIC SPECIFICATIONS

Frequency response (@-6dB)	Hz	80 - 20k
Sensitivity (@1W/1m)	dB	93
MAX SPL (cont/peak)	dB	114 / 117
Dispersion	H° x V°	90 conical
Crossover frequency	kHz	3
Recommended HP filter	Hz - dB oct	70 - 24

### INPUTS & OUTPUTS

Input connectors	4-pin Euroblock in & thru
------------------	---------------------------

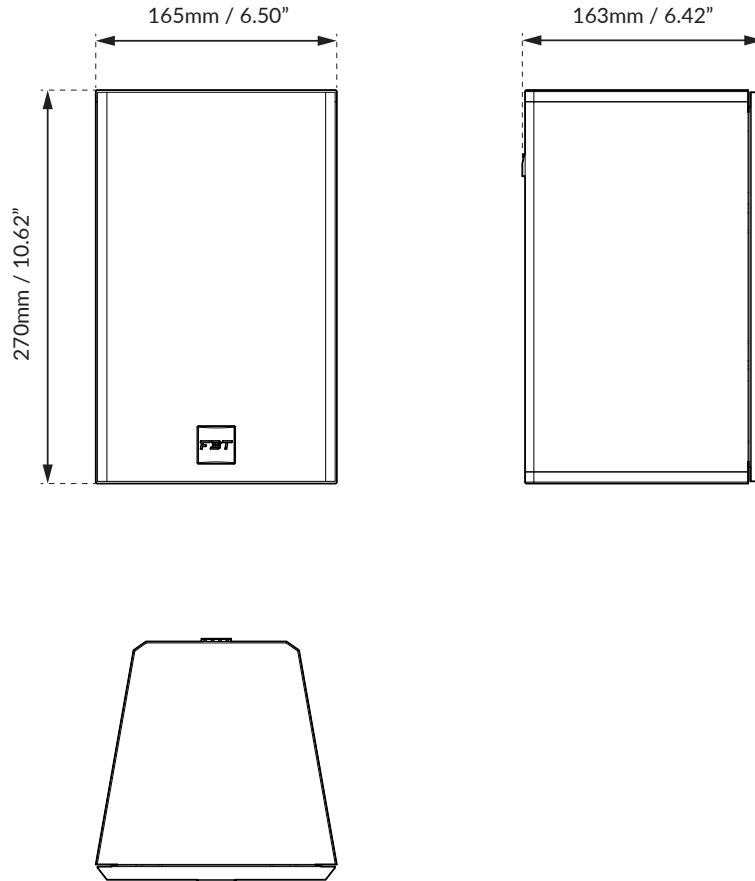
### AMPLIFIER

Recommended amplifier	W RMS	120
Long term power	W	60
Short term power (IEC 268-5)	W	240
Nominal impedance	Ohm	16

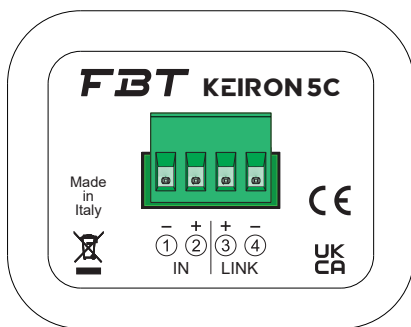
### MECHANICAL SPECIFICATIONS

Material	Cabinet	HDF
	Grille	Fabric
Net dimensions (WxHxD)	mm	165 x 270 x 163
	inch	6.50 x 10.62 x 6.42
Transport dimensions (WxHxD)	mm	215 x 345 x 205
	inch	8.46 x 13.58 x 8.07
Net weight	kg	3.4
	lb	7.5
Transport weight	kg	3.8
	lb	8.37

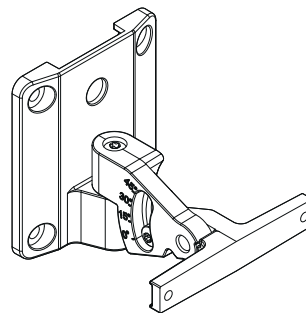
**DIMENSIONAL DRAWING**



**CONTROL PANEL**



**ACCESSORIES**



**WM-45**

**Wall Metal Bracket**  
 Black code: 44855  
 White code: 44864

90 x 90 x 92mm  
 3.54 x 3.54 x 3.62inch