



MYRA 218S

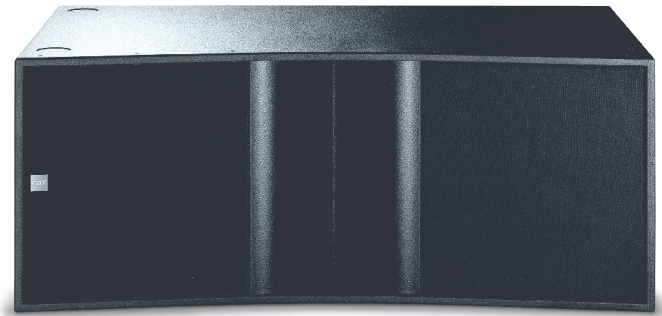
Line Array Sound Reinforcement Subwoofer

APPLICATIONS

- Touring sound reinforcement
- Theatres, Stadiums, Concert Halls, Arenas.....
- Ideal for live applications as the perfect partner for the MYRA range

FEATURES

- Dual 18" reflex-loaded subwoofer
- Two 18" - 4" voice coil neodymium custom transducers
- Curved tuning port for decreased turbulence and non linearity
- 2 x Neutrik NLT 4MP Speakon INPUT & OUTPUT
- Two points flush mounted into the cabinet
- Cabinet in premium grade Baltic birch plywood and four-ready weather resistant polyurea coating
- Standard and cardioid presets available
- Completely Manufactured in Italy



GENERAL DESCRIPTION

MYRA system is a complete solution for mid to large size touring application and high-end fixed installation. MYRA 214L is a full-range variable curvature 3-way line array module; MYRA 218S is a direct radiating dual 18" subwoofer featuring custom-designed, very long excursion B&C drivers. Designed without compromise, the MYRA establishes a new reference for SPL to size ratio, directivity control, coherence and ease of use. It's the result of an extensive three year R&D program started from scratch to address the challenges of rental companies, FOH and tour sound engineers. The FBT MYRA 218S is a reference dual 18" subwoofer featuring FEM optimized reflex-tuned enclosure and one of the best low frequency transducers that technology can offer today, neodymium magnet, 4" voice coil and amazing +/- 22mm linear excursion. Combining accurate cabinet resonance study and ingenious port arrangement which is designed to dramatically reduce turbulence and eliminate non-linearity, MYRA 218S delivers substantial low frequency energy down to 25Hz, and can offer standard or cardioid directivity with suitable DSP preset and physical deployment. The cabinet construction typifies FBT's signature "made in Italy" production philosophy, completely fabricated in-house using machined premium Baltic birch and four-ready weather resistant polyurea coating. A two point rigging system is flush-mounted into the cabinet, allowing the suspension of up to 12 enclosures with 4:1 safety factor. Trucking and handling are made easy by the six comfortable, ergonomically placed handles, along with optional removable heavy-duty casters. To facilitate quicker transport and deployment, the MYRA 218S subwoofers are stacked three per vertical transport cart in a 0-degree collapsed position.

PERFORMANCE

System type	1 way
Recommended amplifier	4000W RMS
Long term power	2000W
Short term power (IEC 268-5)	8000W
Low frequency response @ -6dB	25 Hz
Nominal impedance	4 Ohm
SPL (peak)	143dB
Dispersion	omnidirectional

PHYSICAL

Low frequency woofer	2 x 18" neo. / 4" voice coil
Input connectors	Neutrik NL T4MP
Net dimensions (WxHxD)	1340 x 555 x 740 mm 52,75 x 21,85 x 29,13 inch
Net weight	87,5 kg / 192,90 lb
Enclosure material	Premium grade Baltic birch plywood Weather resistant plyurea coating
Available in black colour	<input checked="" type="checkbox"/>
Rigging components	High grade steel with anti-corrosion coating



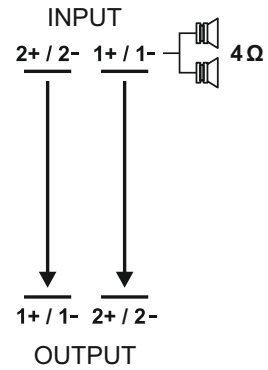
MYRA 218S

Line Array Sound Reinforcement Subwoofer

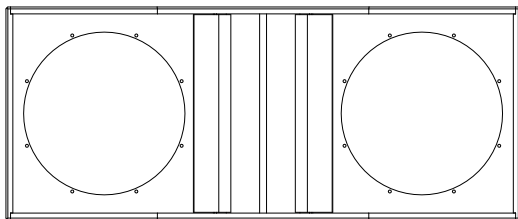
CONNECTION PANEL



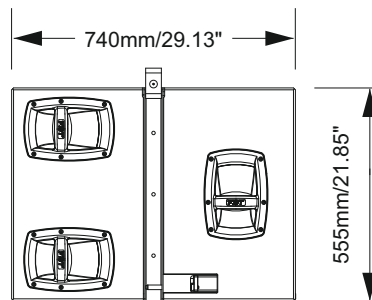
WIRED CONNECTION



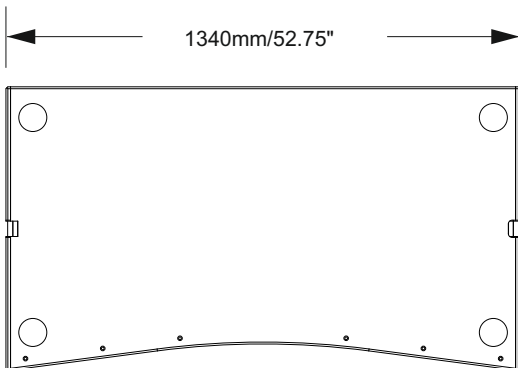
OVERALL DIMENSIONS



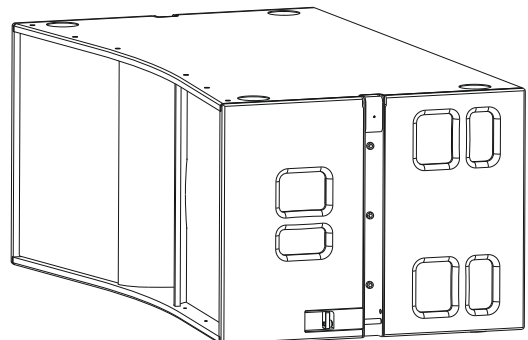
FRONT



SIDE



TOP



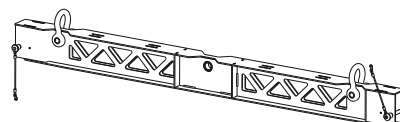
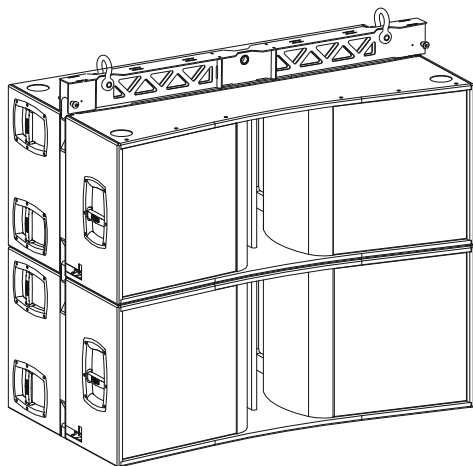


MYRA 218S

Line Array Sound Reinforcement Subwoofer

TRANSPORT & INSTALLATION ACCESSORIES

MR-F218
Flybar for flown configurations



MR-T218
Dolly transport or ground stack installation

