

Operating Instructions

Thanks for purchasing our product.
Please be sure to read this instruction manual
carefully before using our product.

Model : HKW001EUS1



Model : HKW001EEU1



Contents

Product Overview	1
Feature	1
Package contents	1
Specifications	2
Panel Descriptions	3
Connections and Operations	6
EDID Management	8
Warning and Precaution	8

Product Overview

The HDMI Extender over Single Cat5e/6 with Bi-directional IR. It includes one transmitter and one receiver. The transmitter unit is used to transfer the HDMI and IR signal input and carry the signal through one RJ45 connector over one low cost Cat5e/6 cable. The receiver unit is responsible for equalizing transferred TMDS multimedia data and re-sending IR signal. The transmission distance between the transmitter and receiver unit can be up to 50m for Full HD resolution (1080p).

Features

- Supports 3D, Transmit the following 3D video format, distance of up to 50 meters.

DIP switch3	DIP switch2	DIP switch1	EDID Information
1	1	0	1080p/60hz 24bit 3d 2.1ch

- Extends the transmission distance up to 50m from the sources 1080p
- DTS-HD Master Audio and Dolby True HD high bit rate audio support
- Supports bi-directional full frequency of IR signal, 20KHz-60KHz
- Supports EDID Management.

Package Contents

HKW001EUS1(Wall plate Extender ,US type):

- ① Main unit: 1X Transmitter, 1X Receiver
- ② Operating instructions
- ③ 2x 5V/1.2A power supply
- ④ 1x IR Receiver cable
- ⑤ 1 x IR Transmitter cable

HKW001EEU1(Wall plate Extender ,EU type):

- ① Main unit: 1XTransmitter,1XReceiver
- ② Operating instructions
- ③ 2x 5V/1.2A power supply
- ④ 1x IR Receiver cable
- ⑤ 1 x IR Transmitter cable

Specifications

Operating Temperature Range	-5 to +35°C (-41 to +95 °F)
Operating Humidity Range	5 to 90% RH (no condensation)
Input Video Signal	1.2 volts p-p
Input DDC Signal	5 volts p-p (TTL)
Video Format Supported	480i/480p/720p/1080i/1080p@60
Audio support	Surround sound (up to 7.1ch) or stereo digital audio
Transmission Distance	1080P:50m(Cat6)
Power Supply	5V/1.2A DC
Power Consumption	3Watts(max)
Dimensions	L114MMxW70MM ⁽¹⁾ L86MMxW86MM ⁽²⁾
Net weight(Main unit)	140g ⁽¹⁾ 120g ⁽²⁾

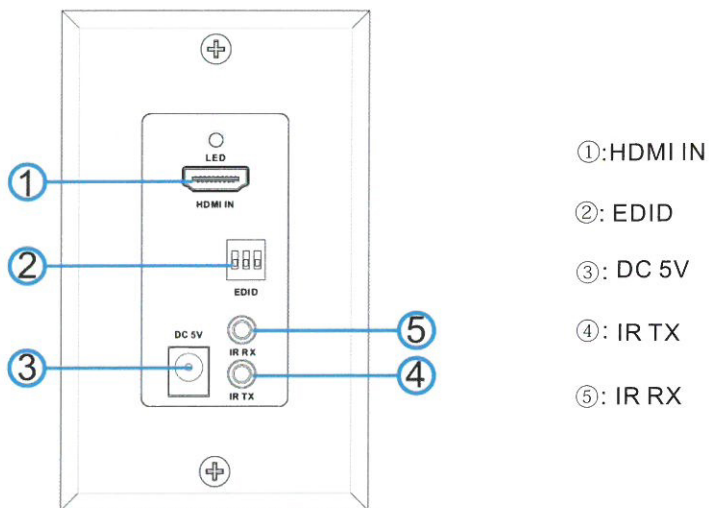
Notes:

1. Available on US type
2. Available on EU type

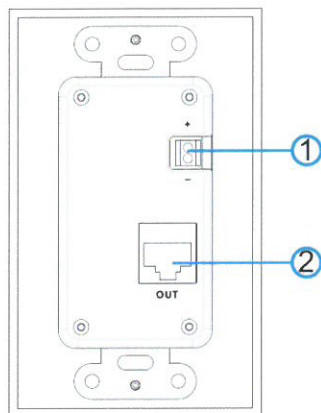
Panel Descriptions

HKW001EUS1(Wall plate Extender US type-TX):

Front Panel



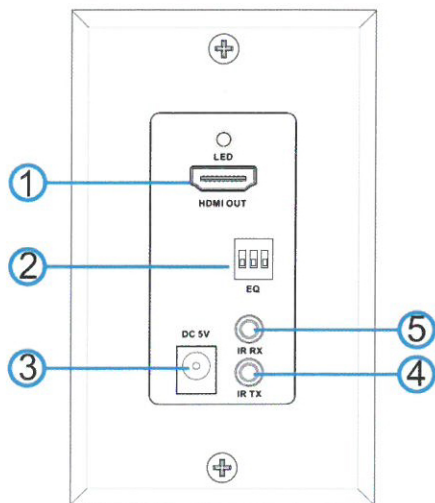
Back Panel



Panel Descriptions

HKW001EUS1(Wall plate Extender US type-RX:)

Front Panel



①:HDMI OUT

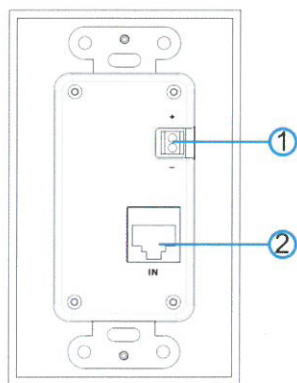
②: EQ

③: DC 5V

④: IR TX

⑤:IR RX

Back Panel

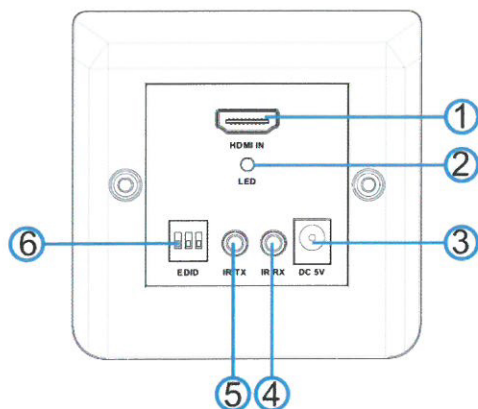


①:External Power socket(Reserve DC 5V)

②: HDMI Signal IN(RJ45)

HKW001EEU1-TX:(Wall plate Extender EU type-TX:

Front Panel



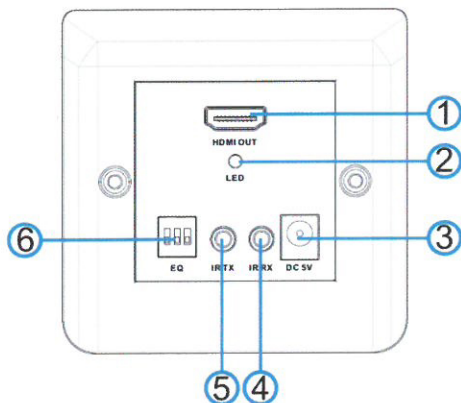
- ①:HDMI IN
- ②: LED
- ③: DC 5V
- ④: IR RX
- ⑤:IR TX
- ⑥:EDID

Back Panel

- ①:External Power socket(Reserve DC 5V)
- ②: HDMI Signal OUT(RJ45)

HKW001EEU1-RX:(Wall plate Extender EU type-RX

Front Panel



- ①:HDMI OUT
- ②: LED
- ③: DC 5V
- ④: IR RX
- ⑤:IR TX
- ⑥:EQ

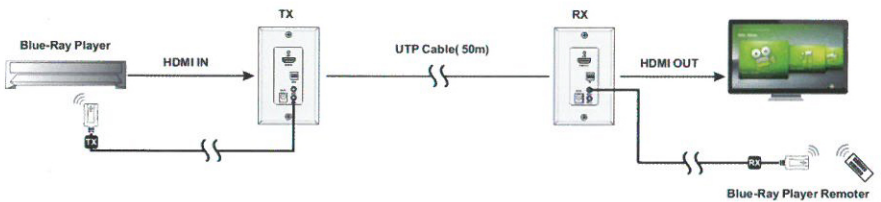
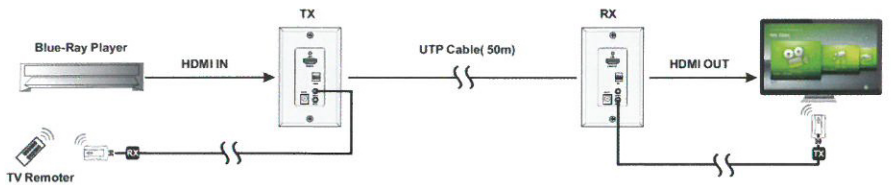
Back Panel

- ①: External Power socket(Reserve DC 5V)
- ②: HDMI Signal IN(RJ45)

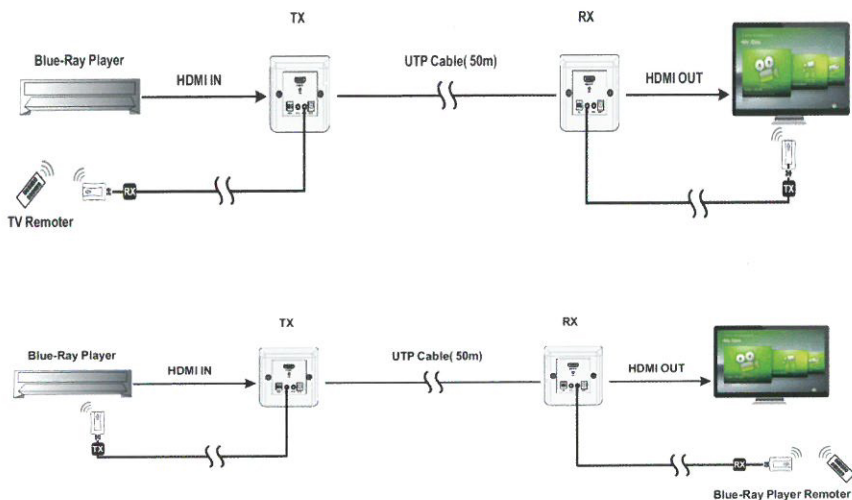
Connections and Operations

1. Connection diagram:

HKW001EUS1:



HKW001EEU1



2. Operation:

- ①. Connect the Extender's HDMI Input to signal source (eg. DVD, STB) with HDMI cable.
- ②. Connect a Cat5e/6 cable between the transmitter and receiver units.
- ③. Connect the receiver's HDMI Output to display device (eg. TV set) with HDMI cable.
- ④. Turn on DVD, TV set and Extender.

EDID Management

EDID Information:

DIP Switch3	DIP Switch2	DIP Switch1	EDID Information
0	0	0	1080p/60hz 24bit 2d 7.1ch
0	0	1	1080p/60hz 24bit 2d 2.1ch
0	1	0	1080p/60hz 36bit 2d 7.1ch
0	1	1	NC
1	0	0	1080p/30hz 1080i/60hz 720p/60hz 24bit 2d 7.1ch
1	0	1	1080p/30hz 1080i/60hz 720p/60hz 24bit 2d 2.1ch
1	1	0	1080p/60hz 24bit 3d 2.1ch
1	1	1	reserved

Warning and Precautions

- 1) Away from the heat source and avoid direct sunlight.
- 2) To ensure proper heat dissipation, avoid poorly ventilated spaces and do not block the vents.
- 3) To prevent electrical shock and fire, do not keep the machine in rain or wet places.
- 4) Do not connected to power supplies when installation or moving the device.
- 5) Do not touch the power adapter plug with wet hands.
- 6) Do not spill liquid on the machine, as it may cause internal short circuit or fire.
- 7) Do not attempt to open the cabinet. Please contact qualified service personnel for maintenance.

Notice:

We reserves the right to make changes in the hardware, packaging and any accompanying documentation without prior written notice.

Warning

To reduce the risk of fire,electric shock or product damage:



1.Do not expose this apparatus to rain, moisture, dripping or splashing and that no objects filled with liquids,such as vases, shall be placed on the apparatus



6.Clean this apparatus only with dry cloth



2.Do not install or place this unit in a bookcase,built-in cabinet or in another confined space. Ensure the unit is well ventilated.



7.Unplug this apparatus during lightning storms or when unused for long periods of time.



3.To prevent risk of electric shock or fire hazard due to overheating,do not obstruct the unit's ventilation openings with newspapers, tablecloths, curtains,and similar items



8.Protect the power cord from being walked on or pinched particularly at plugs.



4.Do not install near any heat sources such as radiators heat registers, stoves, or other apparatus(including amplifiers) that produce heat.



9.Only use attachments/ accessories specified by the manufacturer



5.Do not place sources of naked flames,such as lighted candles, on the unit.



10.Refer all servicing to qualified service personnel.